

CT SERIES

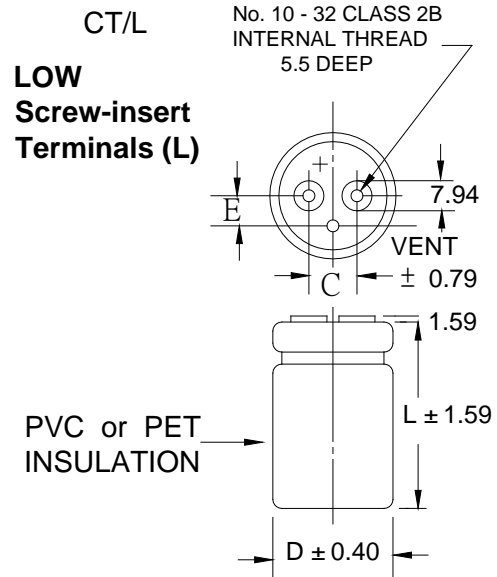
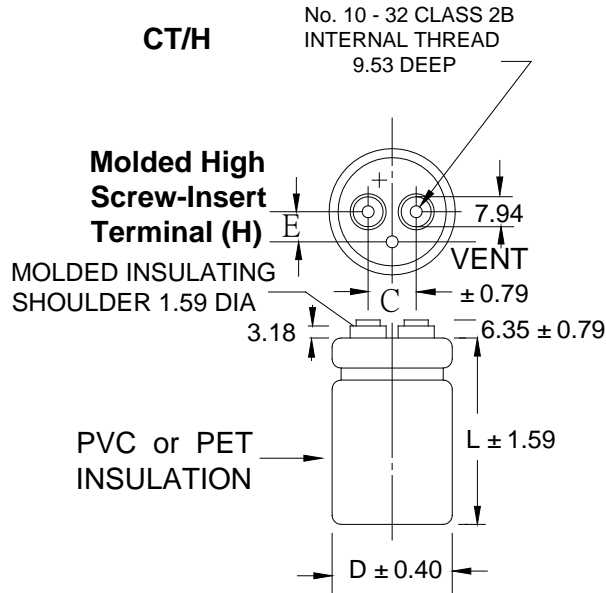
超大型电容器,螺柱引出式,具有高可靠性和耐高纹波电流能力广泛应用于高级汽车音响、工业机器、工作母机、自动售卖机及通信设备等

Most suitable for inverters requires,high ripple current endurance in a compact size
Used for computers, telecommunication, electronic instruments.

SPECIFICATION :

ITEMS	SPECIFICATION										
Rated Voltage Range(vdc) 额定电压	10v ~100v					160v ~500v					
Operating Temperature Range 使用温度范围	-40°C ~ +85°C					-25°C ~ +85°C					
Capacitance Tolerance 电容量容许差	-20% ~ +20%(M)										
Dissipation Factor (tanδ) 120Hz,20°C 损失角之正接	Case D φ / WV	10v	16v	25v	35v	50v	63v	80v	100v		
	35 φ	0.80	0.80	0.60	0.40	0.30	0.25	0.25	0.25		
	50 φ	1.50	1.00	0.80	0.50	0.40	0.40	0.35	0.25		
	63.5 φ	2.00	1.50	1.00	0.60	0.50	0.50	0.35	0.25		
	76 φ	2.00	1.80	1.20	0.80	0.60	0.50	0.40	0.35		
	89 φ	2.40	2.40	1.50	1.00	0.60	0.60	0.40	0.35		
	Case D φ / WV	160v	200v	250v	300v	350v	400	450v	500v		
	35 φ	0.25	0.25	0.25	0.25	0.20	0.20	0.20	0.20		
	50 φ	0.25	0.25	0.25	0.25	0.20	0.20	0.20	0.20		
	63.5 φ	0.25	0.25	0.25	0.25	0.20	0.20	0.20	0.20		
	76 φ	0.25	0.25	0.25	0.25	0.20	0.20	0.20	0.20		
	89 φ	0.25	0.25	0.25	0.25	0.20	0.20	0.20	0.20		
Leakage Current 漏泄电流	≤0.03CV or 5mA Whichever is greater										
	After rated Vvoltage applied for 5 minutes Where I : Leakage Current (uA) C : Capacitance (uF) V : Voltage (V)										
Load Life 高温负载寿命	After 2000 hours application of W.V at 85°C, the capacitor shall meet the following limits										
	Capacitance Change	≤±25% of Initial Value									
	Dissipation Factor	≤±200% of Initial Specified Value									
	Leakage Current	Initial specified value									
Shelf Life 高温无负载寿命	At no voltage applied after 500 hours the capacitor shall meet the following limits.										
	Capacitance Change	≤±25% of Initial Value									
	Dissipation Factor	≤±200% of Initial Specified Value									
	Leakage Current	≤±200% of Initial Specified Value									
Temperature Characteristics 低温特性	Impedance Ratio / Stability Temperature										
	Rated voltage (V)	10v ~ 100v				160v ~ 500v					
	Z(-25°C) / Z(20°C)	-----				8					
	Z(-40°C) / Z(20°C)	12				----					

WELEDER DELAY CIRCUIT. RECTIFIER CIRCUIT OF A COMPUTER
 INVERTER AND POWER AND SUPPLY FILTERING CIRCUITS OF HIGH
 POWER AMPLIFIER



CAN DIA.D	E	C
34.93 mm	9.9 mm	12.7 mm
44.45 mm	11.5 mm	19 mm
50.8 mm	12.7 mm	22.23 mm
63.5 mm	15.8 mm	28.58 mm
76.2 mm	19.0 mm	31.75 mm

Standard Products Table

额定电压	容量	尺寸	涟波电流 Arms	额定电压	容量	尺寸	涟波电流 Arms
WV(vdc)	μF	ϕ DxL(mm)	85 °C,120Hz	WV(vdc)	μF	ϕ DxL(mm)	85 °C,120Hz
10v	39000	35X50	4.70	50v	18000	35X100	5.20
	82000	35X100	7.40		22000	35X120	5.90
	100000	35X100	8.00		27000	35X120	6.60
	120000	35X120	9.40		39000	50X96	7.40
	150000	35X120	9.80		56000	63.5X96	9.80
	220000	50X120	11.2		68000	63.5X96	11.1
	270000	50X120	13.6		82000	63.5X115	12.2
	390000	63.5X115	15.3		120000	76X115	16.0
	470000	63.5X130	16.0		150000	76X130	18.1
	560000	76X115	17.3		180000	76X155	19.5
	680000	76X130	18.7		270000	89X160	24.6
16v	27000	35X50	4.20	63v	5600	35X50	3.00
	56000	35X80	6.50		10000	35X80	4.00
	82000	35X100	8.00		15000	35X100	5.30
	100000	35X120	9.60		18000	35X120	6.20
	120000	35X120	9.60		22000	35X120	6.50
	150000	50X100	11.2		33000	50X100	8.10
	220000	50X130	14.2		39000	50X120	9.60
	270000	63.5X100	15.3		47000	50X130	10.2
	330000	63.5X120	17.1		68000	63.5X120	13.3
	390000	64X130	18.0		100000	76X120	17.1
	470000	76X120	19.3		120000	76X140	19.0
560000	76X140	20.7	150000	89X160	22.0		
25v	18000	35X50	4.00	80v	3300	35X50	2.50
	39000	35X80	6.20		6800	35X80	3.70
	47000	35X100	7.40		10000	35X100	4.90
	56000	35X120	8.30		12000	35X120	5.40
	82000	50X80	9.70		15000	50X80	6.00
	100000	50X100	10.8		22000	50X100	7.10
	120000	50X120	12.8		27000	50X120	8.60
	180000	63.5X100	14.7		33000	63.5X100	9.30
	220000	63.5X120	16.8		47000	63.5X120	12.0
	270000	64X130	18.3		68000	76X120	15.4
	330000	64X155	20.7		82000	76X140	18.1
390000	76X140	22.1	100000	89X140	21.0		
560000	89X140	25.8	100v	2200	35X50	2.50	
35v	15000	35X65		3.90	4700	35X80	3.40
	33000	35X100		6.00	6800	35X100	4.20
	39000	35X120		7.00	8200	35X120	5.00
	47000	50X96		8.00	10000	35X120	5.20
	68000	50X115		9.00	18000	50X120	8.10
	82000	63.5X96		10.3	22000	63.5X110	8.60
	120000	63.5X120		12.8	27000	63.5X120	10.3
	150000	63.5X130		14.0	33000	76X110	11.1
	180000	76X115		16.6	39000	76X120	12.4
	220000	76X130		17.3	47000	76X140	14.3
	270000	76X155	19.8	68000	89X140	18.0	
330000	89X130	22.5	160v	1200	35X50	2.00	
470000	89X160	28.3		2200	35X80	3.40	
50v	10000	35X65		4.10	2700	35X100	3.70

RICHEY ALUMINUM ELECTROLYTIC CAPACITORS

CT SERIES

Standard Products Table

额定电压	容量	尺寸	涟波电流 Arms	额定电压	容量	尺寸	涟波电流 Arms
WV(vdc)	μF	ϕ DxL(mm)	85 °C, 120Hz	WV(vdc)	μF	ϕ DxL(mm)	85 °C, 120Hz
160v	3300	35X120	4.50	400v	330	35X50	1.70
	4700	50X80	5.60		560	35X80	2.70
	6800	50X100	7.50		820	35X100	3.40
	8200	50X120	8.10		1000	50X75	3.90
	10000	63.5X100	9.80		1200	50X75	4.20
	12000	63.5X120	10.8		1800	50X96	5.70
	15000	63.5X130	12.7		2200	50X130	7.20
	18000	63.5X130	14.0		2700	63.5X96	7.90
	22000	76X140	16.6		3300	63.5X115	9.50
	33000	89X140	18.9		3900	63.5X130	10.9
200v	820	35X50	1.60	3900	76X96	10.6	
	1800	35X80	2.80	4700	76X115	12.6	
	2200	35X100	3.60	5600	76X130	14.5	
	2700	35X120	4.00	6800	76X155	17.3	
	3300	50X80	4.50	10000	89X155	20.5	
	4700	50X100	7.10	450v	270	35X50	1.60
	5600	50X120	8.20		470	35X80	2.40
	8200	63.5X100	10.0		680	35X100	3.10
	10000	63.5X120	11.0		820	50X75	3.50
	12000	76X100	11.5		1000	50X75	3.90
15000	76X120	12.8	1200		50X96	4.70	
18000	76X140	15.0	1500		50X115	5.60	
22000	76X160	15.6	1800		50X130	6.50	
250v	560	35X50	1.30		2200	63.5X96	7.20
	1200	35X80	2.30		2700	63.5X115	8.60
	1500	35X100	3.00	3300	63.5X130	10.0	
	1800	35X120	3.30	3300	76X96	9.80	
	2200	50X80	3.70	3900	76X115	11.5	
	3300	50X100	5.10	4700	76X130	13.3	
	3900	50X120	5.90	5600	76X155	15.7	
	4700	63.5X100	6.90	8200	89X155	18.6	
	6800	63.5X120	8.70	500v	120	35X50	0.70
	10000	76X120	11.1		270	35X80	1.20
12000	76X140	13.0	330		35X100	1.40	
15000	89X140	14.9	390		35X120	1.70	
350v	390	35X50	1.90		470	50X75	1.80
	680	35X80	2.90		680	50X96	2.50
	1000	35X100	3.80		820	50X115	2.90
	1200	35X120	4.20		1000	50X130	3.40
	1500	50X75	4.70		1000	63.5X96	3.40
	2200	50X96	6.30		1500	63.5X115	4.50
	3300	50X130	8.80	1500	76X96	4.60	
	3300	63.5X96	8.80	1800	63.5X130	5.20	
	3900	63.5X115	10.3	2200	76X115	6.10	
	4700	63.5X130	12.0	2700	76X155	7.70	
4700	76X96	11.7	3900	89X155	10.1		
5600	76X115	12.6					
6800	76X130	15.9					
8200	76X155	19.0					
12000	89X155	22.5					