

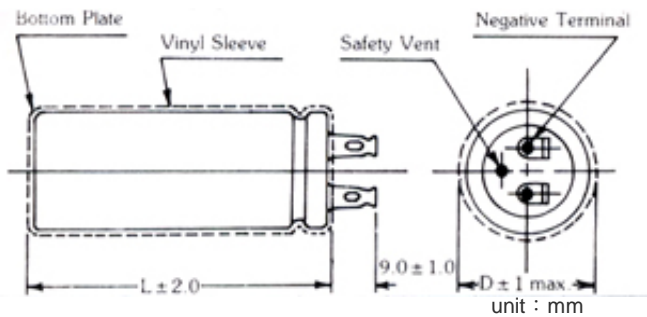
HUA
SERIES

铜质 Lug 端子应用于音频、扩大机，单容量 MS 标准品/双容量 MS3 标准品
采用低倍率高压箔低 ESR，耐涟波的大型尺寸品
Designed for audio power amplifier use, 2 capacitances/outlets for option.
Lowest DF/ESR.

■ SPECIFICATIONS

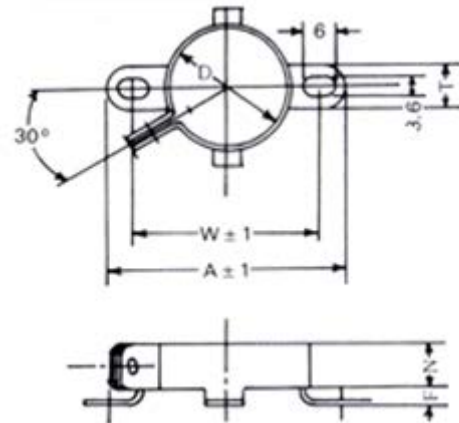
ITEMS	CHARACTERISTIC								
Rated Voltage Range 额定电压	350v 450v 500vDC								
Operating Temperature Range 使用温度范围	-25°C ~ +85 °C								
Capacitance Tolerance 电容量容许差	±20(M) ,120Hz 20 °C								
Leakage Current 漏泄电流	$I = 0.03CV + 15$ Whichever is smaller after 5 minutes where $I =$ Leakage Current , $C =$ Rated Capacitance , $V =$ rated DC working voltage								
Dissipation Factor (tanδ) 120Hz, 20°C 损失角之正接	at 120Hz , 20°C <table border="1"> <tr> <td>Rated voltage</td> <td>350v</td> <td>450v</td> <td>500v</td> </tr> <tr> <td>tanδ(max)</td> <td>0.20</td> <td>0.25</td> <td>0.25</td> </tr> </table>	Rated voltage	350v	450v	500v	tanδ(max)	0.20	0.25	0.25
Rated voltage	350v	450v	500v						
tanδ(max)	0.20	0.25	0.25						
Low Characteristics 低温特性	Impedance ratio at 120Hz <table border="1"> <tr> <td>Rated voltage</td> <td>350v</td> <td>450v</td> <td>500v</td> </tr> <tr> <td>Z(-25°C)/Z(-20°C)</td> <td>8</td> <td>8</td> <td>8</td> </tr> </table>	Rated voltage	350v	450v	500v	Z(-25°C)/Z(-20°C)	8	8	8
Rated voltage	350v	450v	500v						
Z(-25°C)/Z(-20°C)	8	8	8						
Load Life 高温负载寿命	The following specifications shall be satisfied when the capacitors are restored to 20°C after the rated voltage applied for 1000 hrs at 85°C . <table border="1"> <tr> <td>Test Time</td> <td>1000 Hrs</td> </tr> <tr> <td>Capacitance Change</td> <td>≤±25% of initial value</td> </tr> <tr> <td>Dissipation Factor</td> <td>Less than 200% of specified value</td> </tr> <tr> <td>Leakage Current</td> <td>Within specified value</td> </tr> </table>	Test Time	1000 Hrs	Capacitance Change	≤±25% of initial value	Dissipation Factor	Less than 200% of specified value	Leakage Current	Within specified value
Test Time	1000 Hrs								
Capacitance Change	≤±25% of initial value								
Dissipation Factor	Less than 200% of specified value								
Leakage Current	Within specified value								
Shelf Life 高温无负载寿命	The following specifications shall be satisfied when the capacitors are restored to 20°C after exposing them for 500 hrs at 85°C without voltage applied. <table border="1"> <tr> <td>Test Time</td> <td>500Hrs</td> </tr> <tr> <td>Capacitance Change</td> <td>≤±25%</td> </tr> <tr> <td>Dissipation Factor</td> <td>Less than 200% of specified value</td> </tr> <tr> <td>Leakage Current</td> <td>Less than 200% of specified value</td> </tr> </table>	Test Time	500Hrs	Capacitance Change	≤±25%	Dissipation Factor	Less than 200% of specified value	Leakage Current	Less than 200% of specified value
Test Time	500Hrs								
Capacitance Change	≤±25%								
Dissipation Factor	Less than 200% of specified value								
Leakage Current	Less than 200% of specified value								

■ MS 寸法图 DIMENSIONS (mm)



Dφ	A	W	T	N	F
25	57	37	10	7	4
35	65	45	10	9	4

(Mounting Holder)



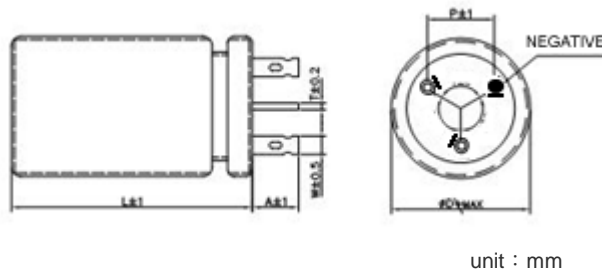
■ MS 寸法表 STANDARD PRODUCTS TABLE

Dφ x L (mm)

WV(VDC) Cap (μF)	350 V		450 V		500 V	
	10				25 x 40	190
22			25 x 40	210	25 x 40	210
33			25 x 40	230	25 x 40	250
47	25 x 40	240	35 x 50	280	35 x 50	355
100	25 x 50	430	35 x 63	550	35 x 63	600
220	35 x 70	880	35 x 100	1010	35 x 100	1100
330	35 x 90	1100				
470	35 x 110	1500				

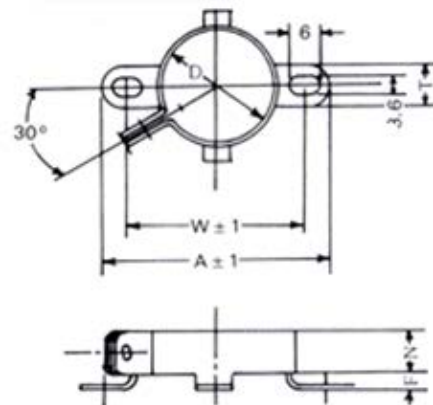
* Allowable ripple current showed in this table are for each single terminal only Ripple current (mA) at 85°C 120Hz

■ MS3 寸法图 DIMENSIONS (mm)



Dφ	A	W	T	N	F
25	57	37	10	7	4
35	65	45	10	9	4

(Mounting Holder)



■ MS3 寸法表 STANDARD PRODUCTS TABLE

Dφ x L (mm)

WV(VDC) Cap (μF)	350 V		450 V		500 V	
	10 + 10			25 x 40	110	25 x 40
16 + 16					25 x 50	180
22 + 22			25 x 65	160	25 x 65	210
33 + 33			25 x 70	200	25 x 70	245
40 + 40					25 x 70	255
47 + 47	25 x 65	220	35 x 60	200	35 x 70	270
100 + 100	35 x 70	550	35 x 110	550	35 x 110	650
220 + 220	35 x 110	700				

* Allowable ripple current showed in this table are for each single terminal only Ripple current (mA) at 85°C 120Hz